

HOLDING SYSTEM - CAMA FIX TRI-ECO SERIE



APPLICATION

Cable Holding System for fixing cables. Suitable for mounting 3 single- and medium- and high-voltage cables.

ADVANTAGES

Resistant to oils, greases, frost, heat, UV, ozone, salt water, salts, acids, aggressive chemicals and radioactive radiation. Non-oxidizing, non-corrosive, non-magnetic and non-conductive. Halogen-free and no sharp edges. Lifetime warranty, easy assembly and available worldwide.

SPEZIFICATION:

Material: Black polyamide (PA66), fibreglass-reinforced, virgin

Range: 24 to 82mm (for cables with a nominal outer diameter)

Fire resistance: UL94 V-0
DIN 5510-2:2009 with flammability class S3
Smoke SR2
dripping ST-2

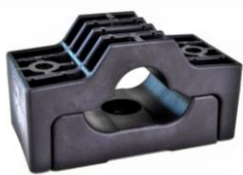
Standards: NEN-EN-IEC 61914:2016 (according)

Temperature: -80°C to +120°C (Permanent application)
up to +220°C (Short-term heating)

Extra possibilities:

The central fastening hole in the bottom part of this TRI clamp enables more installation possibilities for e.g. masts, poles, concrete or fitting rails. The 4 holes in the upper and bottom part of this clamp can be used for installation on all kinds of ladders and other support systems without drilling holes.

Description	Articel No	For Cable Ø	Color	Packing Unit
FIX TRI ECO 24-35	4099020	24 - 35mm	black	50 pcs
FIX TRI ECO 33-46/11	4099021	33 - 46mm	black	50 pcs
FIX TRI ECO 33-46/13	4099022	33 - 46mm	black	50 pcs
FIX TRI ECO 47-66	4099023	47 - 66mm	black	25 pcs
FIX TRI ECO 67-82	4099024	67 - 82mm	black	16 pcs



FIX TRI ECO 24-35
FIX TRI ECO 33-46/11



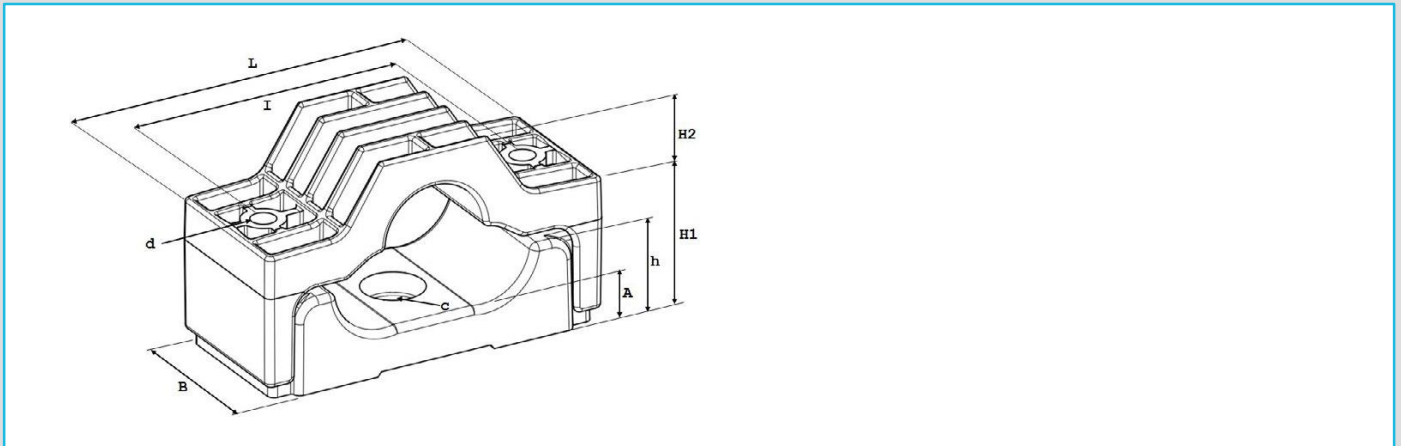
FIX TRI ECO 33-46/13
FIX TRI ECO 47-66



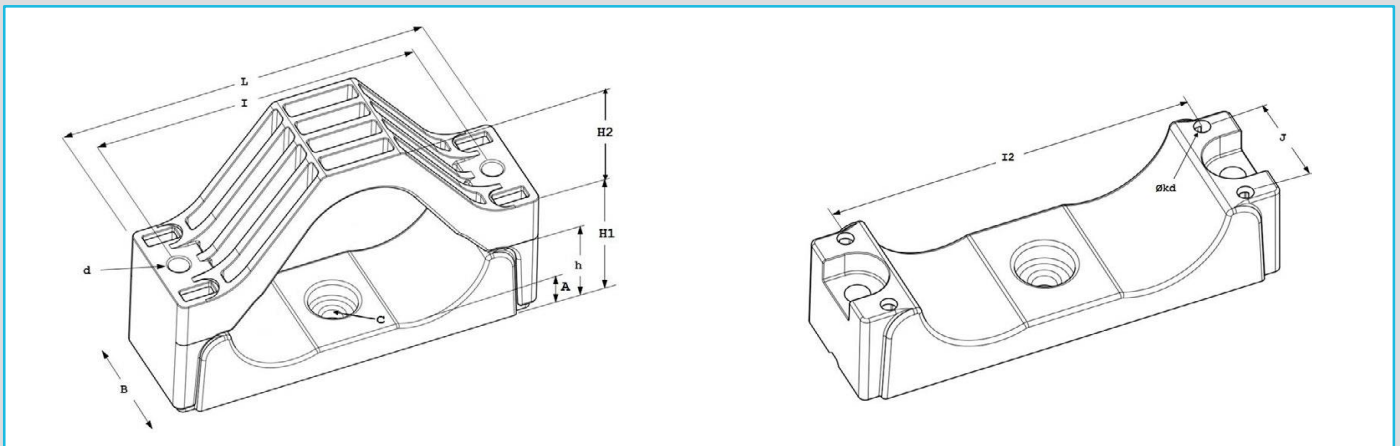
FIX TRI ECO 67-82

HOLDING SYSTEM - CAMA FIX TRI-ECO SERIE

Description	DØ mm	L mm	B mm	I mm	dØ mm	H1 mm	H2 mm	h mm	A mm	C mm	Strength N
FIX TRI-ECO 24-35	3x24-35	136	70	101	11	54-78	20	35	20	11	15 000
FIX TRI-ECO 33-46/11	3x33-46	156	70	130	11	58-90	30	41	20	11	16 300
FIX TRI-ECO 33-46/13	3x33-46	166	70	130	13	64-86	29	38	20	13	20 300
FIX TRI-ECO 47-66	3x47-66	205	70	170	13	80-120	38	51	19	13	22 300



Description	DØ mm	L mm	B mm	I mm	dØ mm	H1 mm	H2 mm	h mm	A mm	C mm	I2 mm	J mm	kdØ mm	Strength N
FIX TRI-ECO 67-82	3x67-82	232	70	200	12,5	90-121	72	52,5	17	12,5	190	50	8,3	23 900



Initial torque for fastening fixing material : 5 - 8 Nm. (depends on cable manufacturer's prescription). Tests have been performed by KEMA, SGS, KU Leuven, UL and Schneider. The product listed in this datasheet is produced in conformity with the latest EU Directive 2011/65 / EU (RoHS), and complies with all legal obligations in accordance with REACH