

HOLDING SYSTEM - CAMA FIX STC SERIES



FIX STC 21-38



APPLICATION

Cable Holding System for fixing cables. Suitable for mounting single- and multiple-conductor low- medium- and high-voltage cables.

ADVANTAGES

Resistant to oils, greases, frost, heat, UV, ozone, salt water, salts, acids, aggressive chemicals and radioactive radiation. Non-oxidizing, non-corrosive, non-magnetic and non-conductive. Halogen-free and no sharp edges. Lifetime warranty, easy assembly and available worldwide.

SPECIFICATION:

Material: Black polyamide (PA66), fibreglass-reinforced, virgin

Range: 21 to 75mm (for cables with a nominal outer diameter)

Fire resistance: UL94 V-0
DIN 5510-2:2009 with flammability class S3
Smoke SR2
dripping ST-2

Standards: NEN-EN-IEC 61914:2016 (according)

Temperature: -80°C to +120°C (Permanent application)
up to +220°C (Short-term heating)

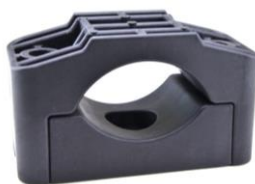
Extra possibilities:

The 4 holes in the bottom part of this clamp can be used for installation on all kinds of ladders and other support systems without drilling holes.

Description	Article No	For Cable Ø	Color	Packing unit
FIX STC 21-38	4099010	21 - 38mm	black	50 pcs
FIX STC 36-52	4099011	36 - 52mm	black	50 pcs
FIX STC 46-75	4099012	46 - 75mm	black	50 pcs
FIX STC 72-100	4099013	72 - 100mm	black	25 pcs



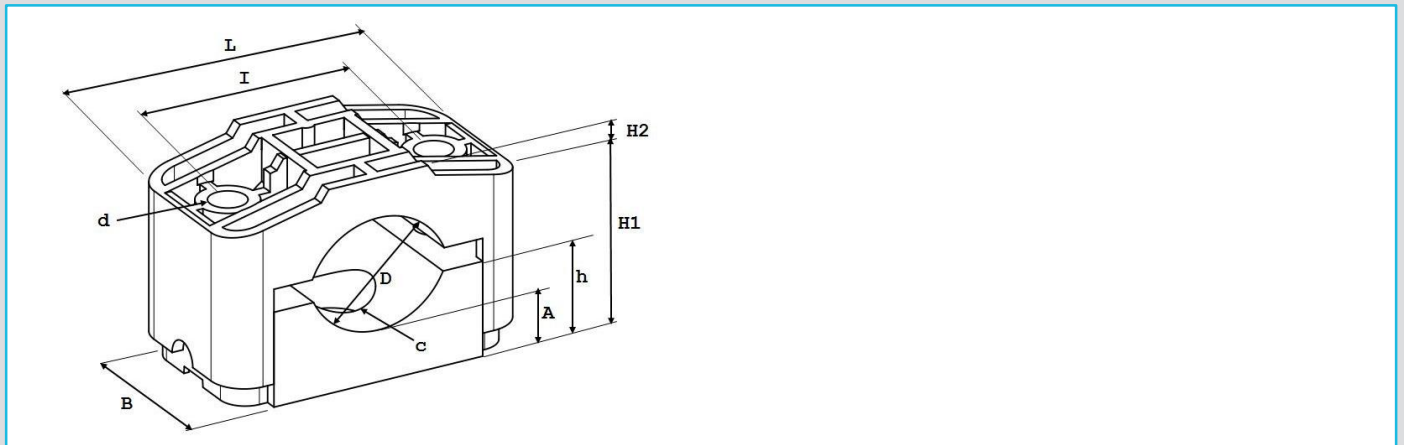
FIX STC 21-38
FIX STC 36-52



FIX STC 46-75
FIX STC 72-100

HOLDING SYSTEM - CAMA FIX STC SERIES

Description	DØ mm	L mm	B mm	I mm	dØ mm	H1 mm	H2 mm	h mm	A mm	C mm	Strength N
FIX STC 21-38	21-38	92	60	60	12,5	45-61	9	26	18,0	12,5	38 700
FIX STC 36-52	36-52	107	60	75	12,5	57-72	12	33	18,0	12,5	45 300
FIX STC 46-75	46-75	128	60	95	12,5	65-95	14	35	20,0	12,5	40 800
FIX STC 72-100	72-100	172	80	127	14,5	91-119	19	51	22,5	14,5	47 300



Initial torque for fastening fixing material : 5 - 8 Nm. (depends on cable manufacturer's prescription). Tests have been performed by KEMA, SGS, KU Leuven, UL and Schneider. The product listed in this datasheet is produced in conformity with the latest EU Directive 2011/65 / EU (RoHS), and complies with all legal obligations in accordance with REACH